

REBEL 8 FT. STRAIGHT



PRODUCT DESCRIPTION

The Rebel Fabric Pop Up is the perfect display on the go and is ready in minutes. The lightweight aluminum alloy frame locks in place using plastic hooks. Attach the graphic to the frame with hook and loop fasteners. Interchangeable graphics make it a versatile choice. Easily collapse the frame with front graphic attached and stow in your carry bag.

DISPLAY DIMENSIONS	89"W x 89"H x 12"D
GRAPHIC SIZE	114"W x 88.5"H

GRAPHIC MATERIAL

Stretch Fabric

GRAPHIC FINISHING

2" Loop Velcro on back perimeter

DISPLAY CONSTRUCTION

Aluminum frame, 2" Velcro (hook) strips, and plastic hooks.

SHIPPING WEIGHTS & DIMENSIONS

Shipping Weight	21 lbs (stand only) 24 lbs (frame and graphic)
Shipping Dimensions	12"L x 12"W x 35"H

LARGE QUANTITY FREIGHT

Freight Shipping	13 boxes per 48"L x 40"W x 64"H skid
Freight Weight	318 lbs (frame only) 357 lbs (frame & graphic)

AVAILABLE ACCESSORIES

Rebel Light (Black or Silver)	Rebel LED Light (Black or Silver)
-------------------------------	-----------------------------------



Rebel Light Black
UL Listed
(Optional)



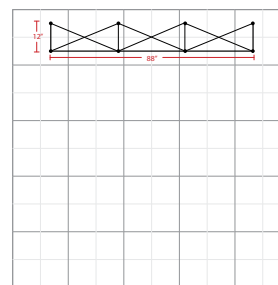
Rebel Light Silver
UL Listed
(Optional)



Rebel LED Light Black
UL Listed
(Optional)



Rebel LED Light Silver
UL Listed
(Optional)



The box represents 10' x 10' booth. *Package includes padded nylon bag

REBEL 8 FT. STRAIGHT

PARTS LIST



(Qty 1) 8ft RPL Frame
(with pre-installed graphic)



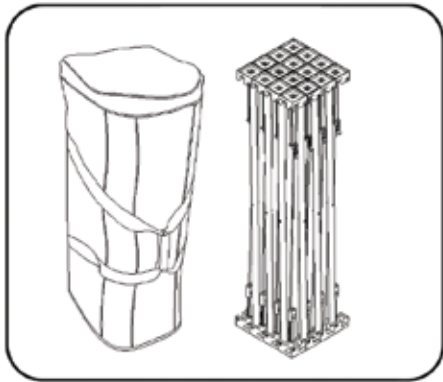
(Qty 1) 8ft RPL Bag

REBEL FABRIC POP UP DISPLAY SET UP INSTRUCTIONS

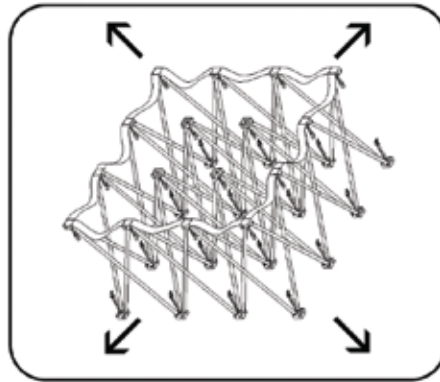
The following instructions are compatible with all shapes and sizes of Rebel frames.

Frame Assembly

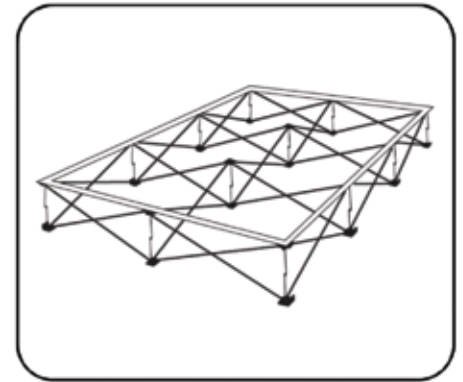
1. Remove frame from bag.



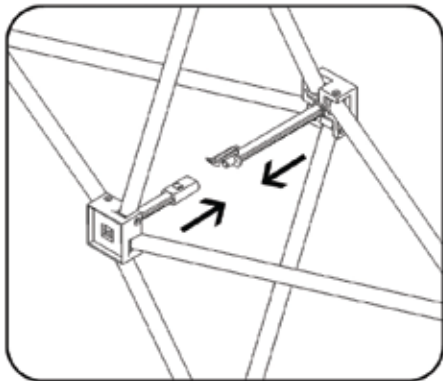
2. Expand frame by pulling outward.



3. Make sure velcro strips are facing up.

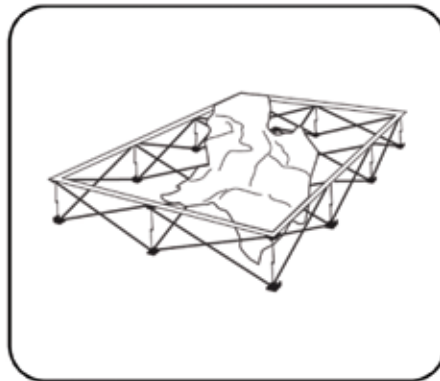


4. Push together all locks on frame to connect.

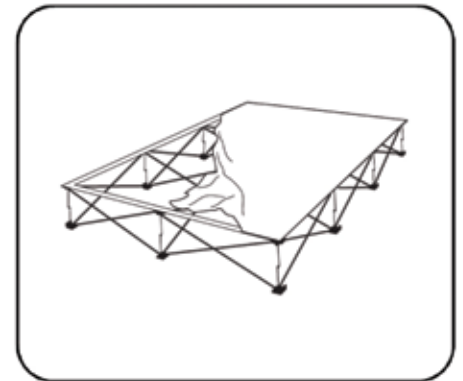


Graphic Installation

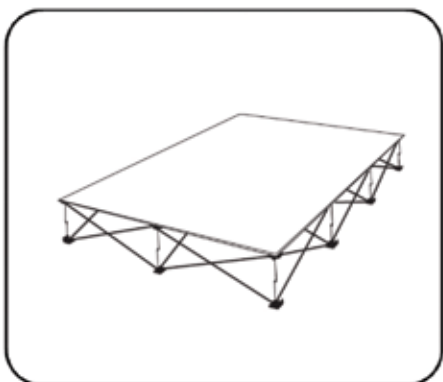
5. Starting at one corner, attach velcro on the graphic to velcro on the frame.



6. Attach the rest of the graphic by working your way around the frame. Make sure graphic is pulled taut while attaching the velcro.



7. If needed, adjust graphic for maximum tautness. Secure end caps to complete.



*Note - To avoid damage, disconnect end caps and all hooks before collapsing frame. Graphic can remain on frame during storage.

